

Very Low Pressure Fan Installation instructions



Information on number of fans, location, sizing requirements and power supply are determined in the AERECO document : "VBP - Installation specifications".

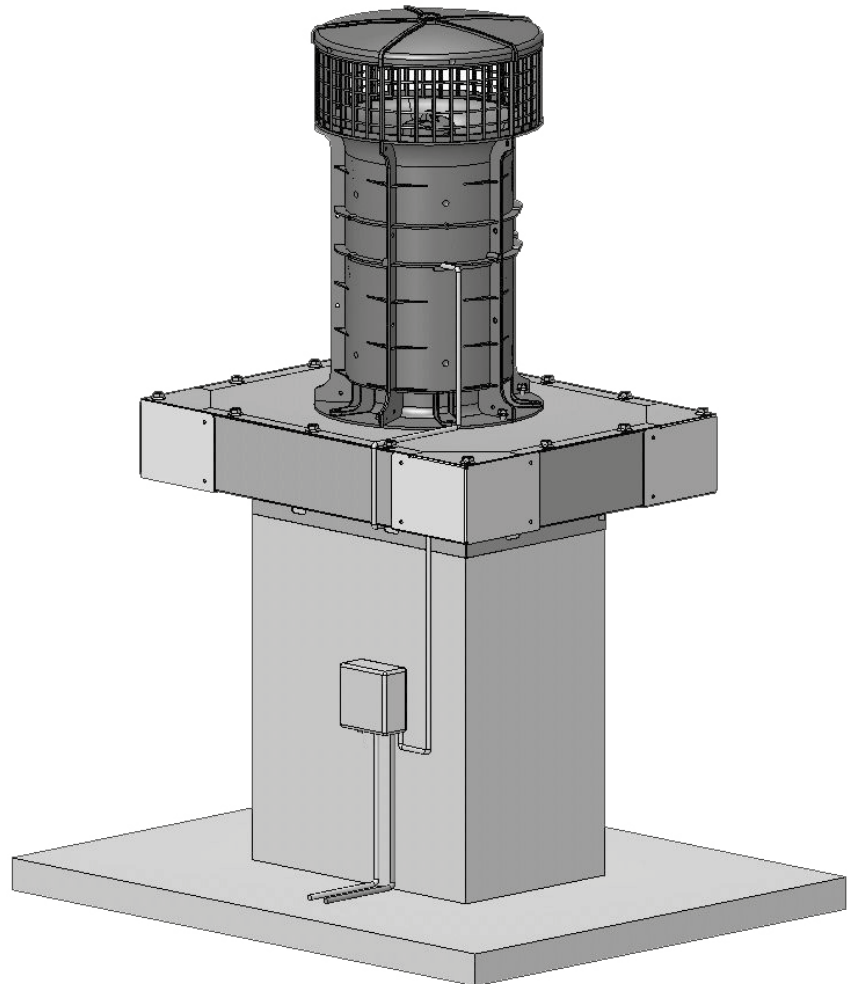
Important:

Only a supply taken among the SIEMENS range "Logo MONO 120-230 VAC" (see codes in this document) is allowed and is able to guarantee the conformity to the requirements as per the electromagnetic compatibility (CEM). It is also possible to use linear supplies from 8V to 12VDC. **The using of another type of supply can destroy the fan.**

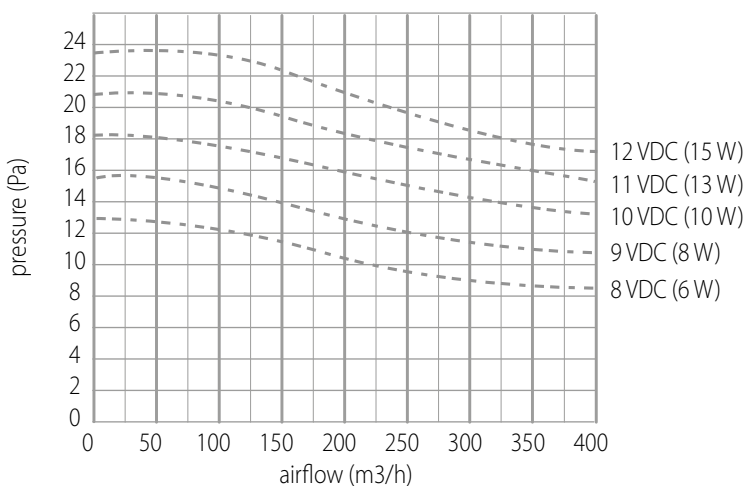
This product is not intended for the extract of the combustion gases of the connected gas-appliance; It cannot be used in buildings having inter alia connected gas-appliances.

Application:

- Passive Stack Ventilation assistance
- Collective ducts or gathered individual ducts.
- On building for individual or collective dwellings and on office buildings.
- 7 maximum ventilated floors.



Technical data



.Material:	PAA 66 35% GF Listed UL94 V0
. Power	15 W @300 m3/h-12V
. Motor	Brushless (long life)
.Colour:	Black

VBP is CE certified when used with the components mentioned in this document.

Preamble - Read carefully

All the ventilation ducts of a stack of dwellings must be equipped with VBP fans (see "VBP - Installation specifications" document). Other components to be installed are described below:

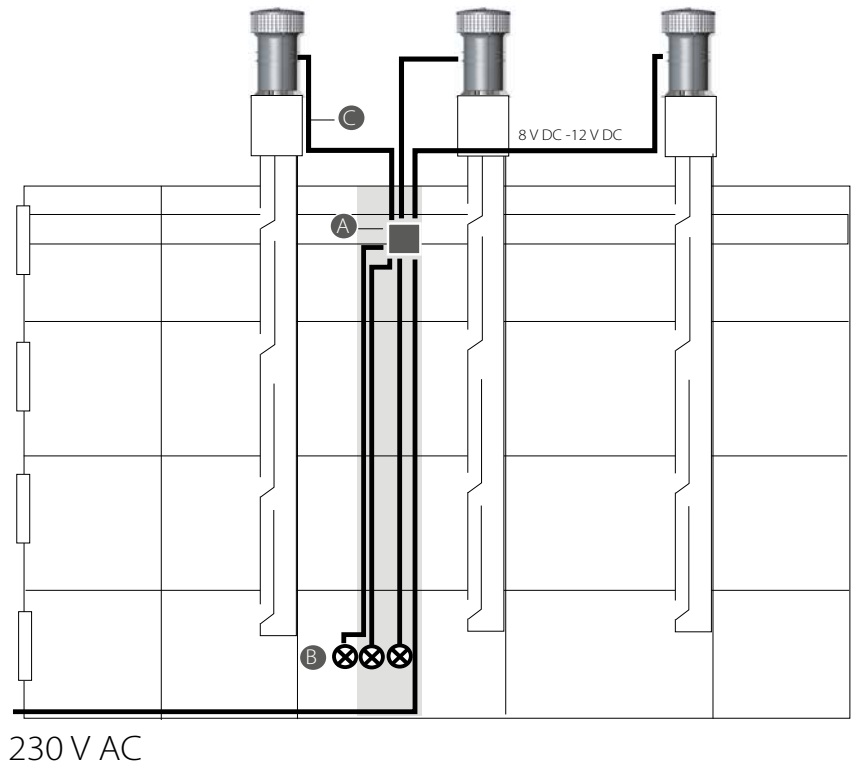
Main components

In addition to the fans, please place on each stack of dwellings:

- A** Control panel
- B** Working indicator
- C** Supply cables

Dwellings are considered to belong to the same stack of dwellings if:

- all the dwellings are connected to the same collective ducts or to the same block of gathered individual ducts.
- there is only one dwelling per level of the stack.



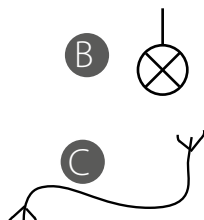
Components to be included in the control panel

A

The supply will be chosen in accordance with the selected curve (see page 1 for diagram):

Circuit-breaker	Type : 1P+N CEI 898
Supply	Requested non linear regulated supplies: SIEMENS LOGO ! MONO 120-230 VAC . 230 V AC - 12 V DC, 1,9 A ref. : 6EP1321-1SH02 . 230 V AC - 12 V DC, 4,5 A ref. : 6EP1322-1SH02 Linear supplies are also possible (from 8 V DC to 12 V DC).

External components



Working indicator	Green Led 12V - 100 mA maximum Life > 25000 hours (permanent working)
Supply cable	Length lower than 40 m: S = 1,5 mm ² Length from 40 to 80 m: S = 2,5 mm ²

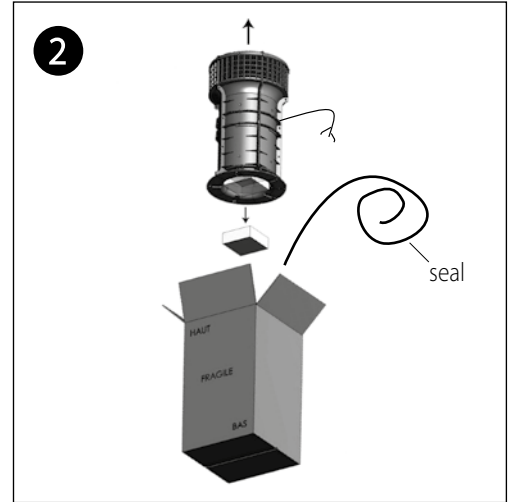
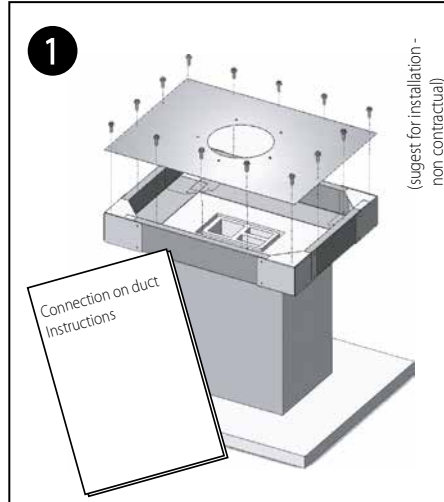
Installation

Before any electrical connection !

1 Make the adaptation box for the VBP fan on the chimney duct: a special adaptation set is available, as well as a special instruction document ("Connection on duct instructions")

2 Take out the VBP fan and the seal from the packaging. Remove the block from the propeller.

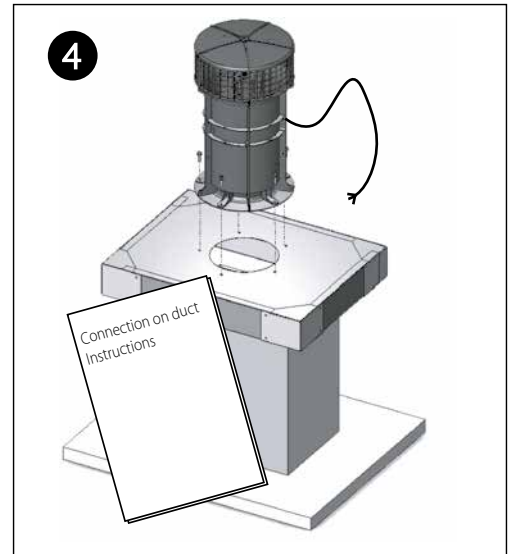
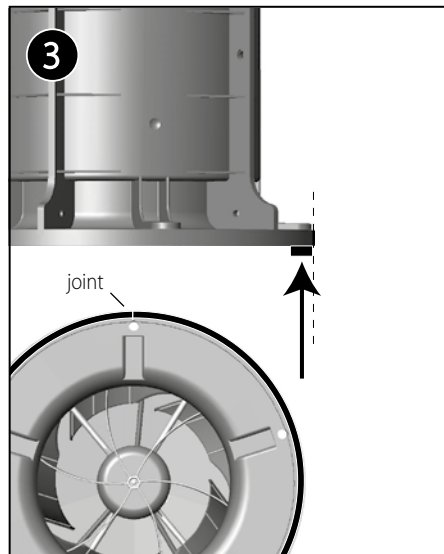
! Place the VBP on a flat surface! (to avoid propeller damage)



3 Stick the supplied airtightness seal by retiring the tape:

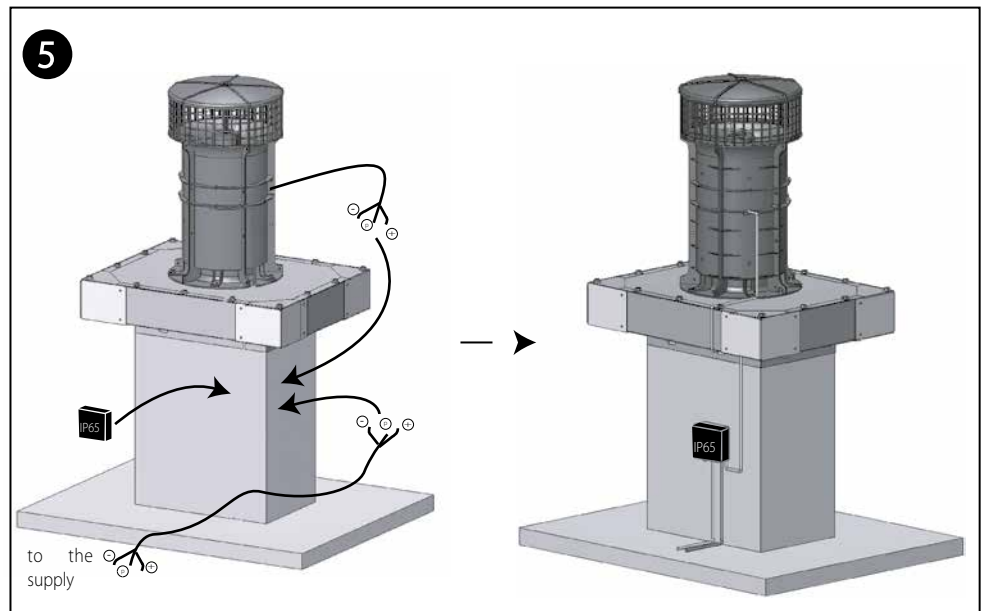
Align to the external edge and cut the exceeding part.

4 Fix the VBP fan on its adaptation box by using 5 x Ø 8mm minimum inox screws.

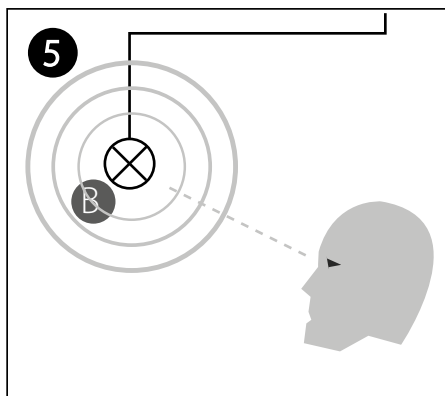


5 Connect the VBP cable to the supply cable by using a IP 65 electric box.

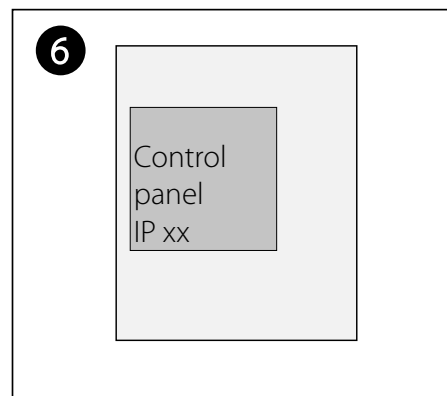
! low voltage supply cables:
if length < 40 m, Section = 1,5 mm²
if length > 40 m, Section = 2,5 mm²



5 Install the working indicators in a place visible to the person in charge of the maintenance.



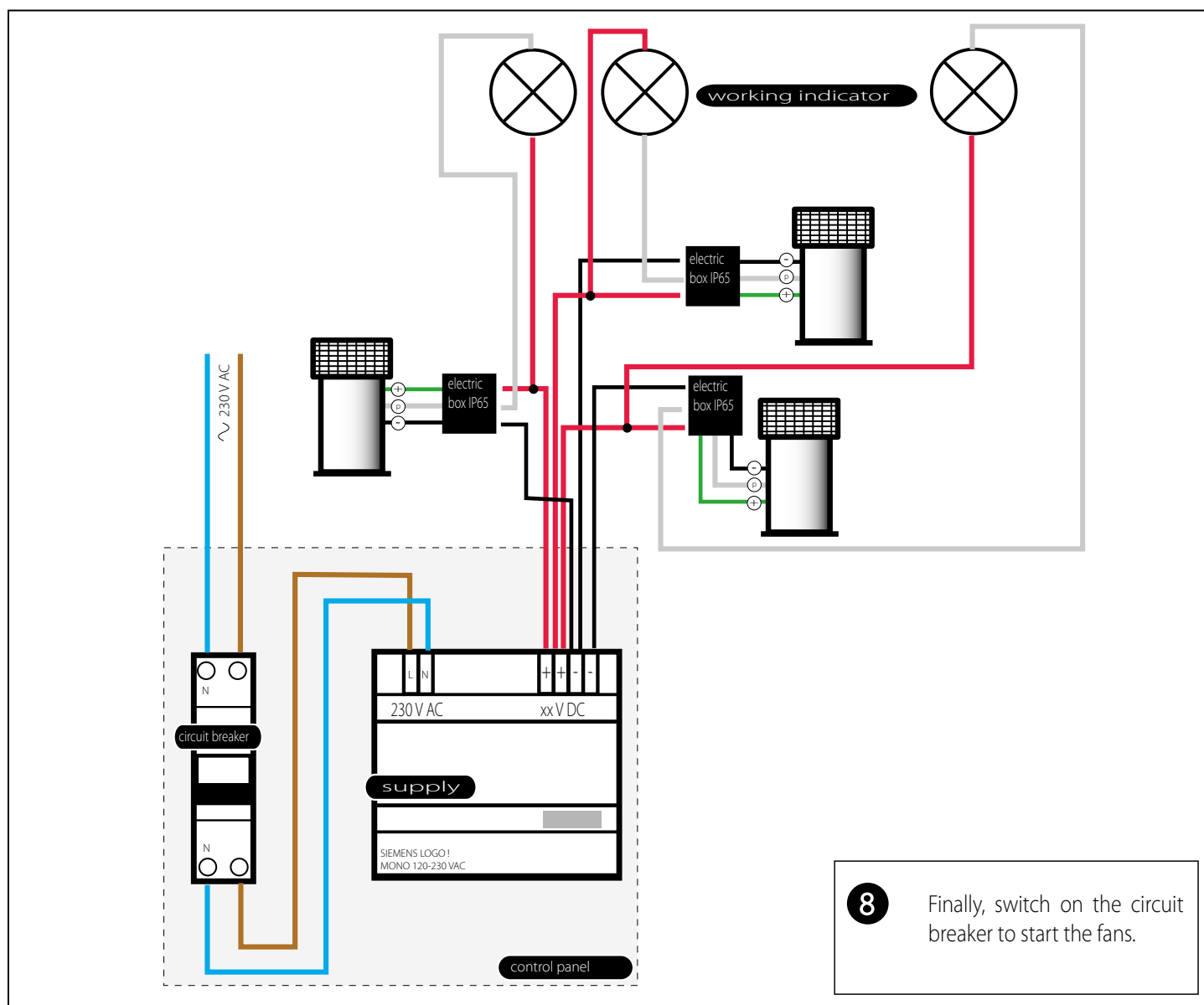
6 Install the control panel in a place in accordance to its IP protection rate



Connections

Please take care strictly to respect the electric connection rules: specific supply and device for switching off each supply. A qualified electrician must carry out this operation.

7 Connect the external components to the control panel by following the diagram below:



8 Finally, switch on the circuit breaker to start the fans.

VBP fan is manufactured in France by AERECO S.A.

AERECO S.A. - 62, rue de Lamirault - COLLEGIEN
- 77 615 Marne la Vallée cédex 3 - FRANCE www.aereco.com

For any information or request, please contact your local AERECO office or distributor.