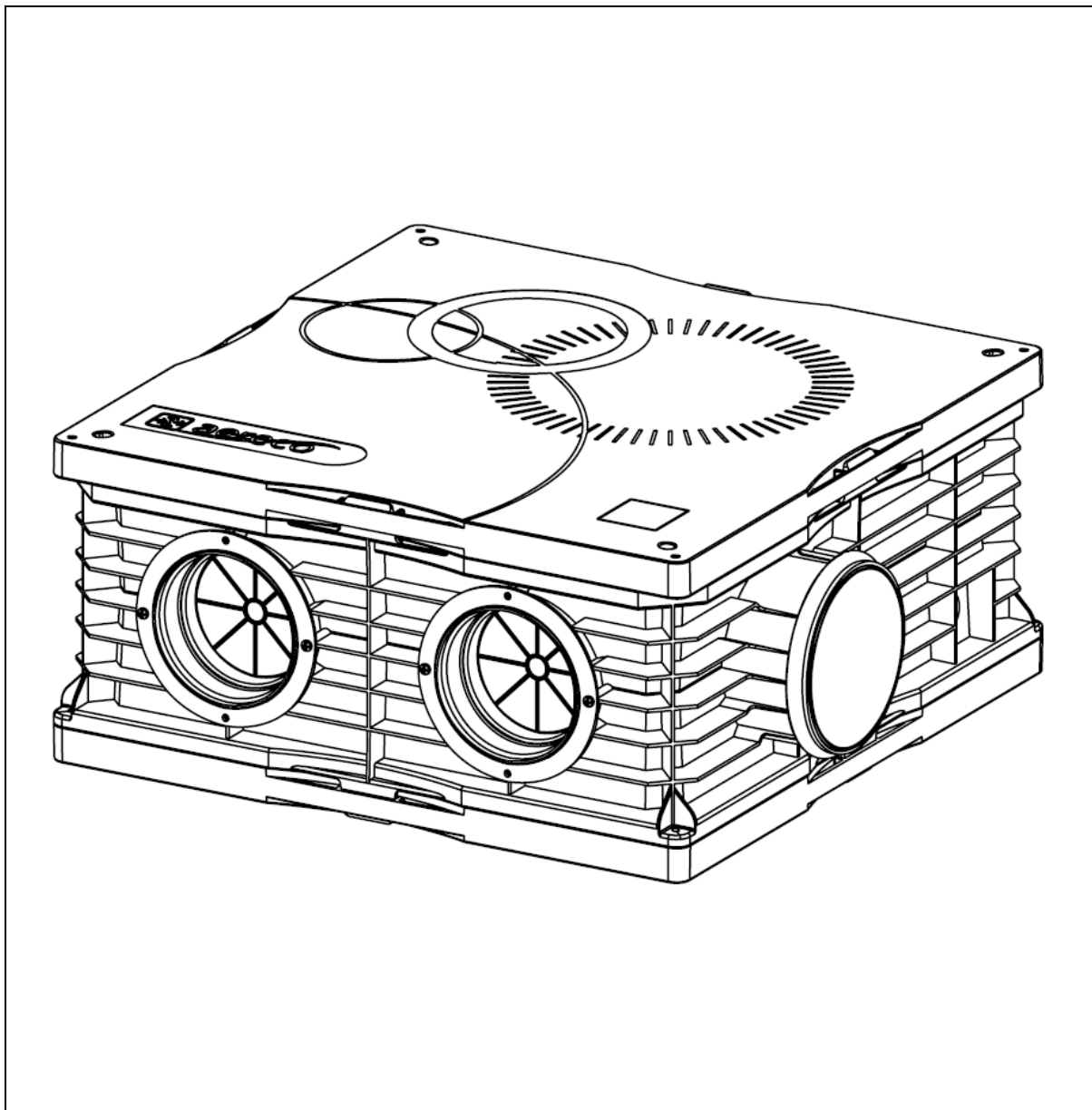


V5S**Identification of plastic parts and electronics parts**

1. INTRODUCTION

1.1. Warnings



BEFORE DISASSEMBLING THE APPLIANCE, PLEASE READ THESE INSTRUCTIONS CAREFULLY.

- The manufacturer cannot be held liable for irreversible damage caused by disassembling the product in the aim at recycling the product.
- This manual describes the required tools for the manual disassembly of electronics parts (printed wiring boards/ printed circuit boards and displays > 10 g or > 10 cm²), batteries and larger plastic parts (> 100 g) for the purpose of efficient materials recycling.
- Wearing suitable gloves while handling the product is strongly recommended (some of the metal parts may have sharp edges).

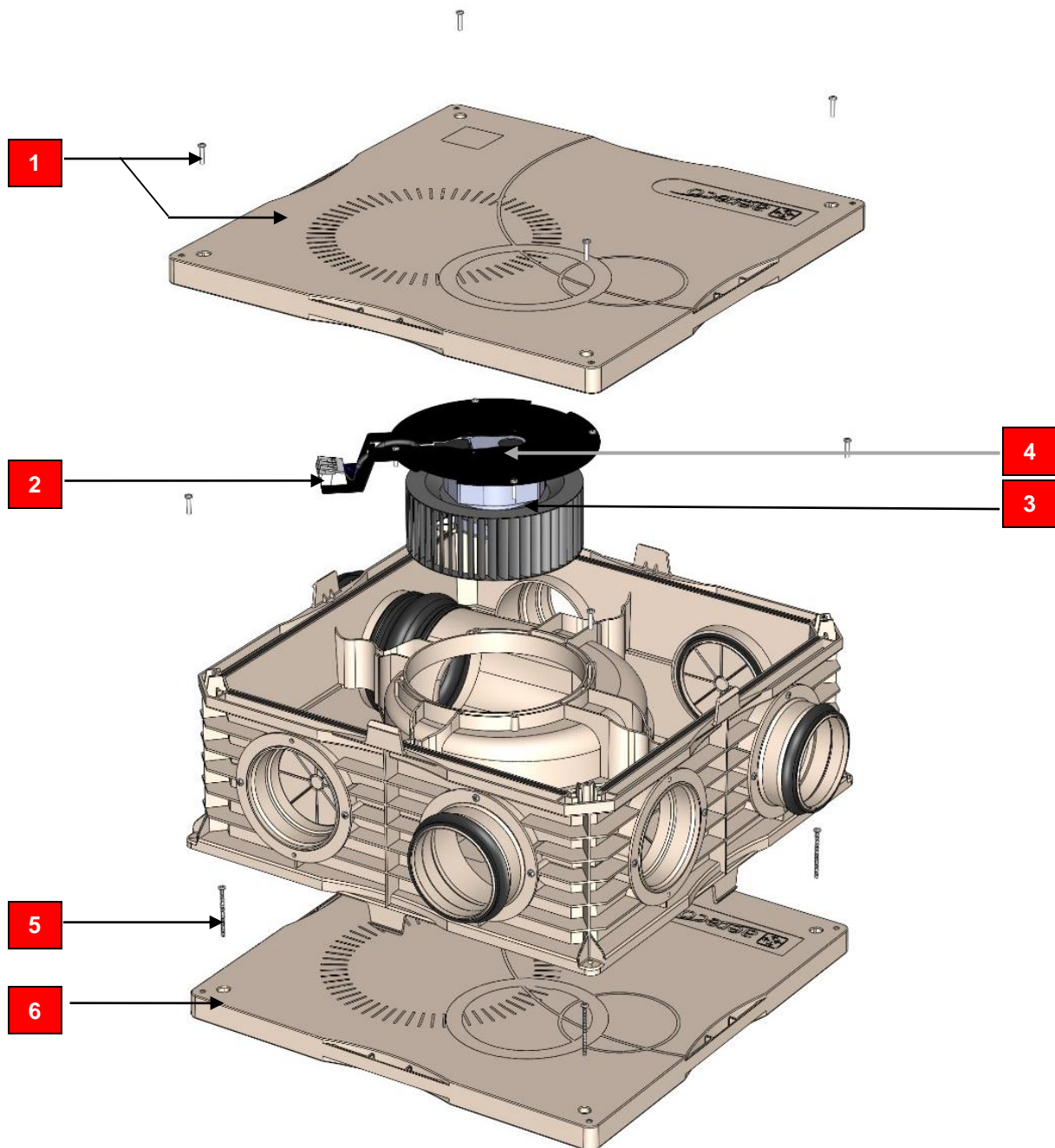


Reminders of elementary safety rules:

The disassembling of an electrical appliance requires observance of the following elementary rules:

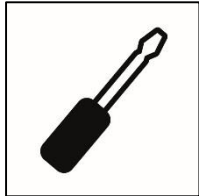
- Do not touch the appliance, even if it is earthed, if your body is moist or wet (hands, feet, etc.);
- This system is not designed to be disassembled by persons whose intellectual and/or mental faculties are impaired, or who lack experience and knowledge (including children), unless they have been trained and are supervised by a person responsible for their safety during disassembling. To eliminate any risk of an accident, keep them away from the appliance;
- The electrical disassemble must be done by a qualified technician, in accordance with the manufacturer's recommendations and in a manner consistent with the characteristics of the product;
- Before doing any work on the appliance, unplug it or otherwise disconnect it from its power supply and make sure that the power cannot be restored accidentally while the work is being done;
- Young children must be kept far away from the appliance in order to ensure that they do not play with it.

2. PRODUCT EXPLODED VIEW

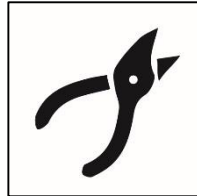


3. REQUIRED TOOLS

The following tools are required to disassemble the fan:



PZ2 screwdriver



Wire cutter

4. DISSASSEMBLY MANIPULATIONS

In the aim at recycling the product, the disassembling of the different plastic parts and electronic parts has to be done in accordance with the following steps (see section 2 to visualize the parts):

First of all, disconnect the fan power supply.

- 1) Remove the cover (4 screws PZ2)
- 2) Cut off the supply wires from the power terminal block
- 3) Unscrew the engine mounting plate (4 PZ2 screws) and remove the subset equipped turbine and motor
- 4) Remove the motor (4 PZ2 screw) of the plate and unclip the terminal and the capacitor
- 5) Remove the casing from its base (4 screws PZ2)
- 6) Unscrew the base of the support (4 screws PZ2)