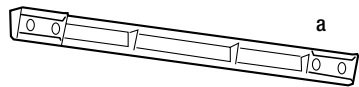




# EMM



a



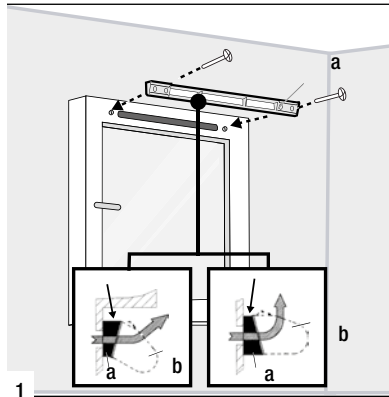
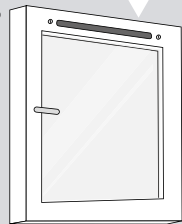
b

290 mm

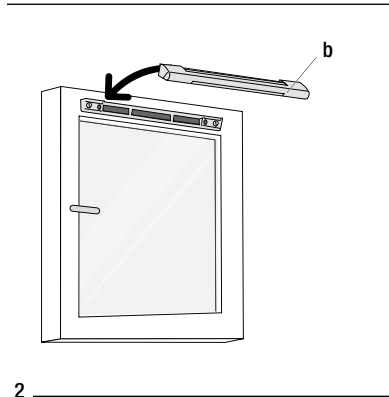
12 mm



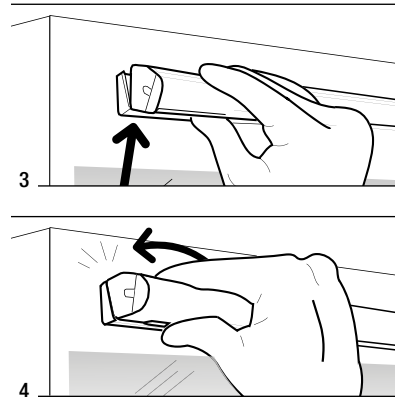
Ø 3 x 35 mm



1



2



3

4